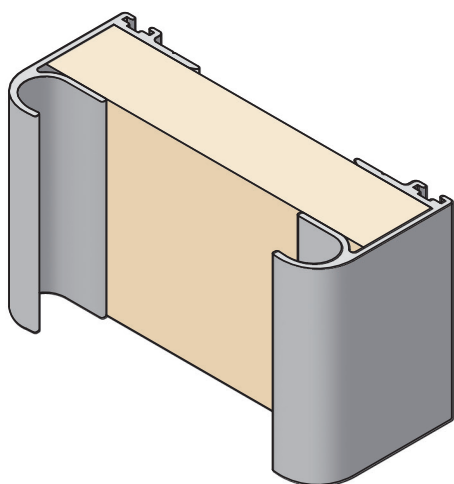
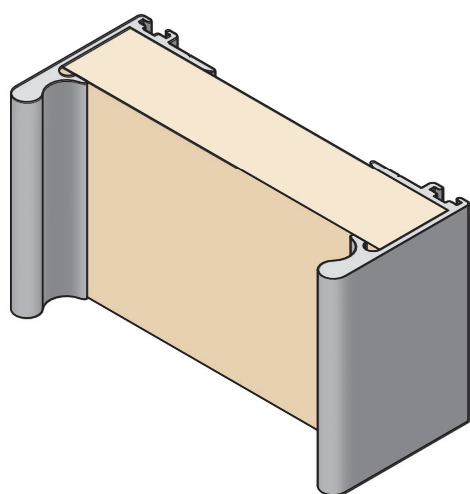
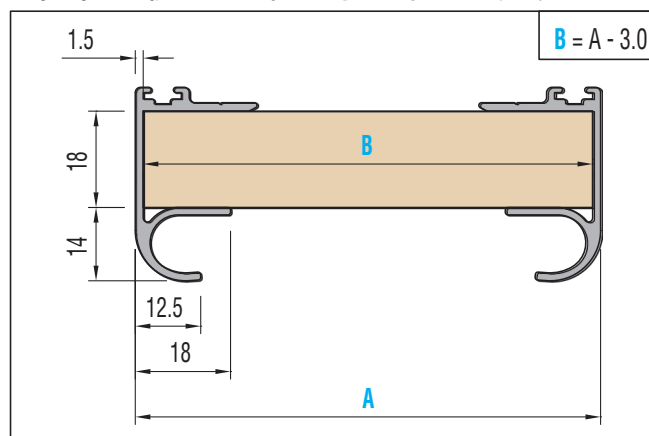


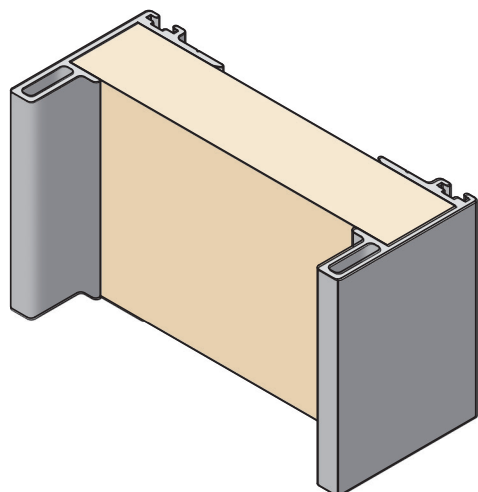
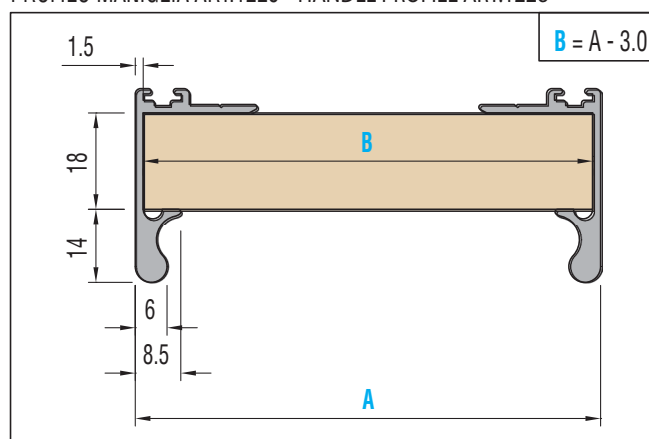
## Schema foratura profili maniglia / Drilling handle profile



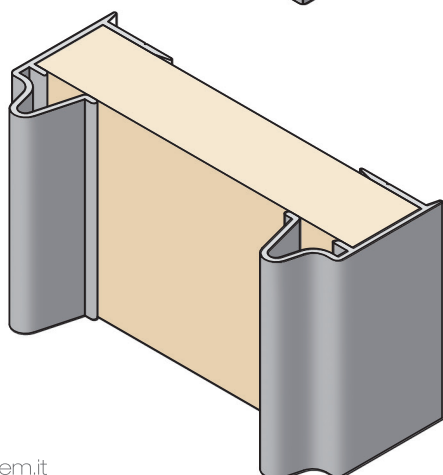
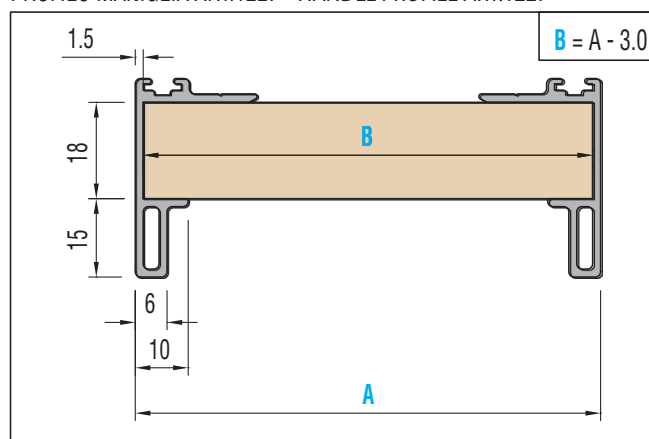
PROFILO MANIGLIA ART.1229 - HANDLE PROFILE ART.1229



PROFILO MANIGLIA ART.1228 - HANDLE PROFILE ART.1228



PROFILO MANIGLIA ART.1227 - HANDLE PROFILE ART.1227



PROFILO MANIGLIA ART.1226 - HANDLE PROFILE ART.1226

